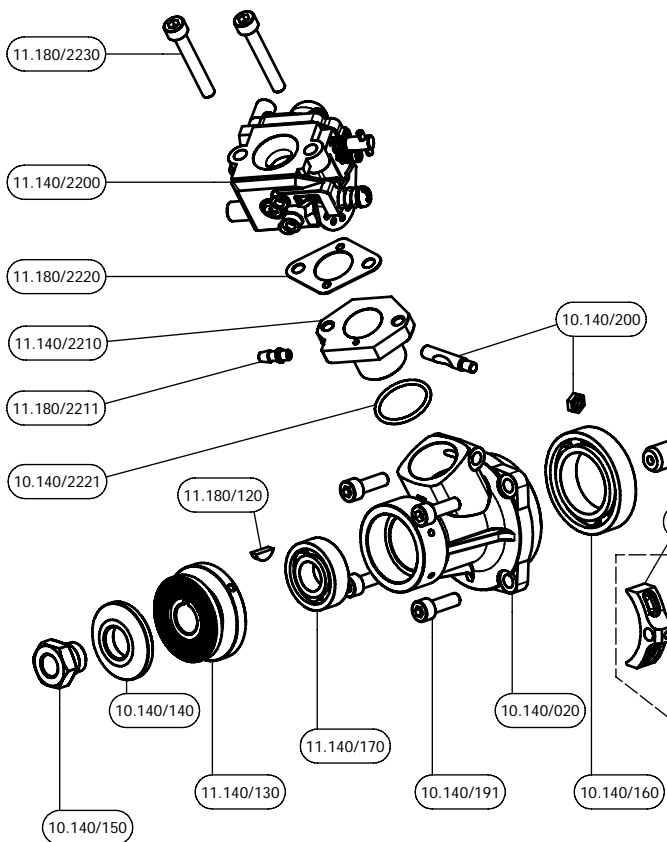
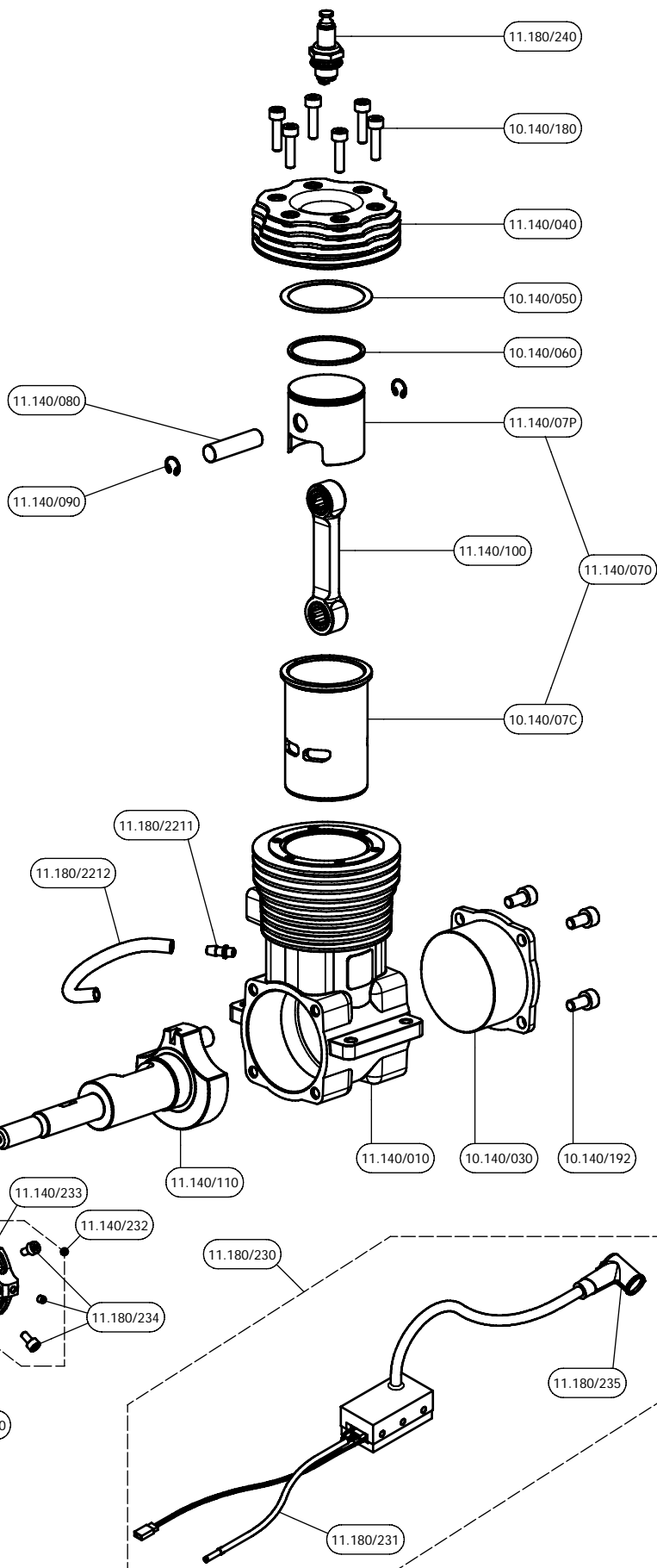
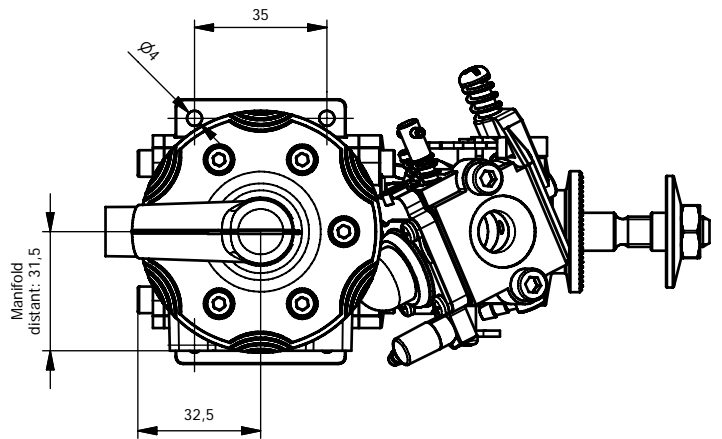
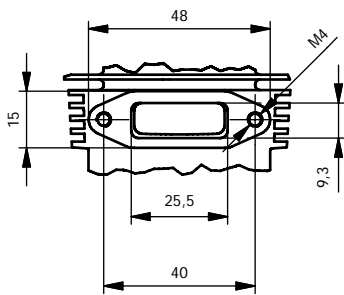
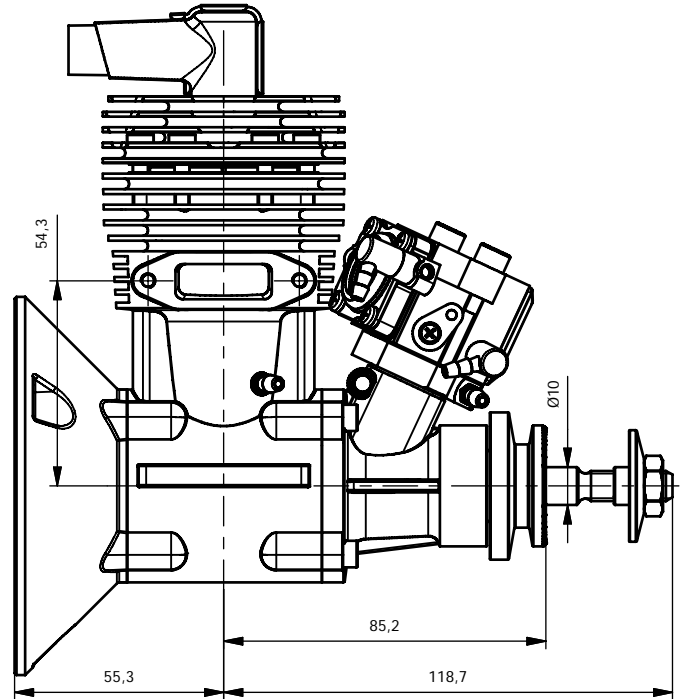
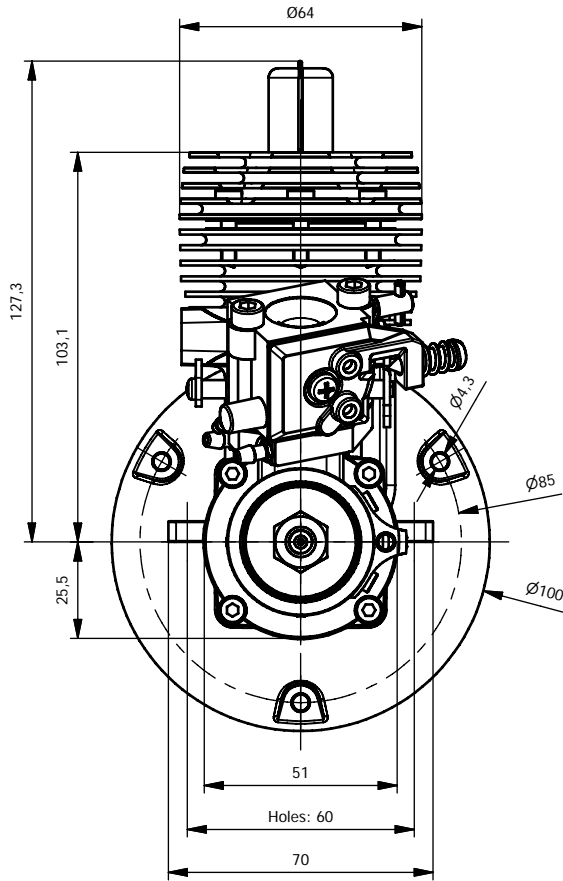


G140RC Parts List

Part Nr.	Description	Qty.
11.140/010	Crankcase	1
10.140/020	Bearing Housing	1
10.140/030	Back Plate	1
11.140/040	Cylinder Head	1
10.140/050	Cylinder Head Gasket	1
10.140/060	Piston Ring	1
11.140/07P	Piston	1
10.140/07C	Cylinder	1
11.140/070	Cylinder-Piston Set (07C;07P)	1
11.140/080	Wrist Pin	1
11.140/090	Wrist Pin Clips	2
11.140/100	Conrod	1
11.140/110	Crankshaft	1
11.180/120	Key	1
11.140/130	Propeller Housing	1
10.140/140	Propeller Washer	1
10.140/150	Propeller Nut	1
10.140/160	Rear Ball Bearing	1
11.140/170	Front Ball Bearing	1
10.140/180	Head Screw Set	6
10.140/191	Bearing Housing Screw Set	4
10.140/192	Back Plate Screw Set	4
10.140/190	Screw set for Engine	14
10.140/200	Carburetor Adapter Lock Pin Set	1
10.140/2221	O-Ring for Carburetor Adapter	1
11.140/2200	Carburetor	1
11.140/2210	Adapter for Carburetor	1
11.180/2211	Press Pipe Join	2
11.180/2212	Press Pipe	1
11.180/2220	Seal for Carburetor	1
11.180/2230	Locking Screws for Carburetor	2
11.180/230	Ignition with Sensor	1
11.180/231	Sensor	1
11.140/232	Sensor Holder with Screws	1
11.140/233	Sensor Holder	1
11.180/234	Screws for Sensor Holder	3
11.180/235	Plug Cap	1
11.180/240	Spark Plug (NGK® CM6)	1
Optional Parts		
10.140/300	Engine Mount with Screws	1
10.140/151	Spinner Adapter	1
11.180/2240	Velocity Stack Kit (Ø18mm)	1
11.180/2241	Velocity Stack	1
11.180/2242	Locking Screws for Velocity Stack	2





G140RC Specifications	
Stock number:	11.140
Fuel:	Benzin/Oil (20/1)
Displacement:	22.6 ccm 1,38 cu in
Bore:	31.5 mm 1,22 in
Stroke:	29 mm 1,142 in
Max Output w. muffler:	3,2 hp
Practical RPM:	12 000
Weight (only engine):	890 g 31,4 oz
Props.	16x6...18x6

